

GH Housings

External Camera Housings



The GH series of housings have been designed to provide the greatest degree of protection required by a CCTV system while still being easy and simple to install. The housings have been designed to accommodate the most common lens/camera combinations. These include the 10x varifocal and 6x zoom lens from Computar.

The GH series of housings are rated as standard to IP67 making them suitable to be used in the most demanding of weather conditions. If however this is not enough, an IP68 housing can be supplied on request. Designed to provide exceptional protection, the GH series of housings have been designed to provide the optimum of protection whilst still being simple and easy to install. The central body of the housing and the sunshield are made from die cast aluminium and the front and rear of the housing are made from technopolymer fibreglass reinforced. The kit units are supplied complete with the wall bracket cable managed and fitted with extra flexible power and video cables making it quicker and easier to install. There is also a range of optional extras such as the internal camera power supplies and alternative bracket accessories.

Key Features

- ▶ Cable Managed Option
- ▶ IP67 Rating
- ▶ 12V, 24V or 230V voltage options
- ▶ Anti-Reflective Front Glass
- ▶ Pre-Installed Power and Coax
- ▶ Powder Coated Finish
- ▶ Compatible with all Ganz® Cameras
- ▶ Complete housing including wall mounting arm with ball joint, sunshield and heater

V1.01

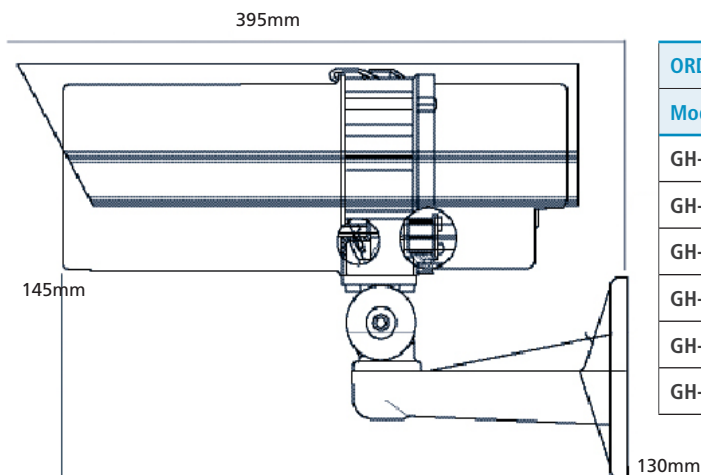
GH Housings

External Camera Housings

Specifications

Description / Model	GH-230	GH-24	GH-12
Water Resistance	IP67	IP67	IP67
Voltage Input	230Vac	24Vac	12Vdc
Housing Weight	1690g	1690g	1690g
Bracket Weight	460g	460g	460g
Power Consumption	40mA	350mA	700mA
Operating Temperature	-20°C ~ +60°C, relative air humidity 99% non-condensing	-20°C ~ +60°C, relative air humidity 99% non-condensing	-20°C ~ +60°C, relative air humidity 99% non-condensing
Internal Dimensions (L x W x H)	310mm x 105mm x 105mm	310mm x 105mm x 105mm	310mm x 105mm x 105mm
External Dimensions (L x W x H)	395mm 145mm 130mm	395mm 145mm 130mm	395mm 145mm 130mm
Construction	< 42dB	< 42dB	< 42dB
Sunshield	Diecast aluminium	Diecast aluminium	Diecast aluminium
Centre section	Diecast aluminium	Diecast aluminium	Diecast aluminium
Front & rear	Techno Polymer Fibreglass Reinforced	Techno Polymer Fibreglass Reinforced	Techno Polymer Fibreglass Reinforced
Supplied with KIT bracket	Power & video cable (cable managed)	Power & video cable (cable managed)	Power & video cable (cable managed)
Bracket (non kit version)	GH-WM	GH-WM	GH-WM
Pole mount adaptor	GH-PA	GH-PA	GH-PA
P/T adaptor	GH-PT	GH-PT	GH-PT
Operating Voltage	230 VAC	24 VAC	12 VDC
Warranty Period	3 Years	3 Years	3 Years

NB. Specification subject to change without notification



(Unit: mm)

ORDERING INFORMATION

Model Number	Description
GH-230KIT	External hsg, bracket, cable, 230Vac
GH-24KIT	External hsg, bracket, cable, 24Vac
GH-12KIT	External hsg, bracket, cable, 12Vdc
GH-230	External housing, 230Vac
GH-24	External housing, 24Vac
GH-12	External housing, 12Vdc

V1.01